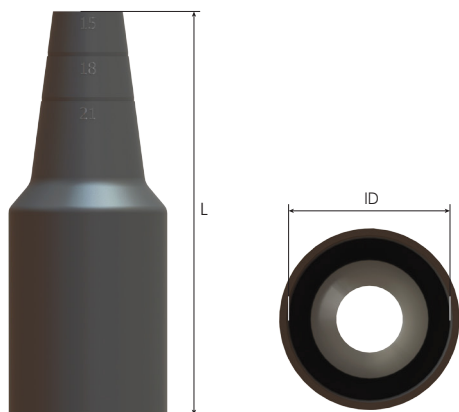


PCP Shrouds



Technical Details		
Material	Orion Type	E-Octans Type
	PCP	PCP
Flame Retardant	V1 According to UL94	
Operating Temperature	PCP Material has more than 100°C operating Temperature.	
Weather Resistance	PCP Material has high weather resistance compliance.	
For more information, see our webpage.		

Orion and E-Octans Type



ORION Type Shrouds (PCP)			E-OCTANS Type Shrouds (PCP)		
For Gland Code	Inner Ø ID mm	Part Number	For Gland Code	Inner Ø ID mm	Part Number
KBA01, KBA1, KBA2S	31,7	BMCR1KBA	EBU0S, EBU01, EBU1, EBU1S, EBS01, EBS1	24,5	BMCR1EBU
KBA1L	35,2	BMCR1LKBA	EBU12, EBU2, EBU2S, EBS2	31,2	BMCR2EBU
KBA2	37,2	BMCR2KBA			
KBA2L, KBA3S	44,2	BMCR2LKBA			
KBA3, KBA4S	57,2	BMCR3KBA			
KBA4, KBA5XM	66,2	BMCR4KBA			
KBA5, KBA5S, KBA6XM, KBA6XS	83,2	BMCR5KBA			
KBA6S, KBA7XSN	89,7	BMCR6SKBA			
KBA6, KBA7S	94,2	BMCR6KBA			
KBA6L, KBA7, KBA8S	110,6	BMCR7KBA			
KBA8, KBA8MLT, KBA9SN, KBA9N, KBA9MLNT, KBA10S, KBA10M,	127,5	BMCR8KBA			